

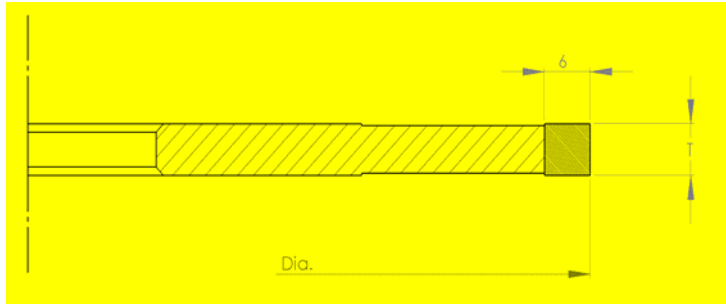
ADVANCED SUPERABRASIVES®

1A1R
DIAMOND

TOOL AND CUTTER

ANCA, SCHNEEBERGER, STAR, UNISON, WALTER, ETC.

[RETURN TO HYPER LINK PAGE](#)



100mm Diameter 31.75mm Bore

Width (T)	Grit Size	Bond	Coolant
6mm	D64	PXG7100	Oil / Syn
		PXF7100	Oil / Syn
10mm	D64	PXG7100	Oil / Syn
		PXF7100	Oil Only
13mm	D64	PXG7100	Oil / Syn
		PXF7100	Oil / Syn

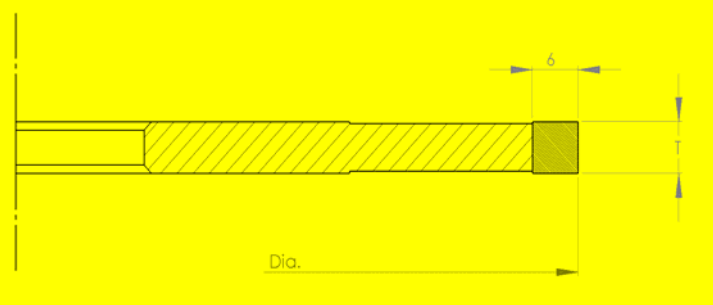
ADVANCED SUPERABRASIVES®

1A1R
DIAMOND

TOOL AND CUTTER

ANCA, SCHNEEBERGER, STAR, UNISON, WALTER, ETC.

RETURN TO HYPER LINK PAGE



125mm Diameter 31.75mm Bore

Width (T)	Grit Size	Bond	Coolant
6mm	D64	PXG7100	Oil / Syn
		PXF7100	Oil / Syn
10mm	D64	PXG7100	Oil / Syn
		PXF7100	Oil Only
13mm	D64	PXG7100	Oil / Syn
		PXF7100	Oil / Syn

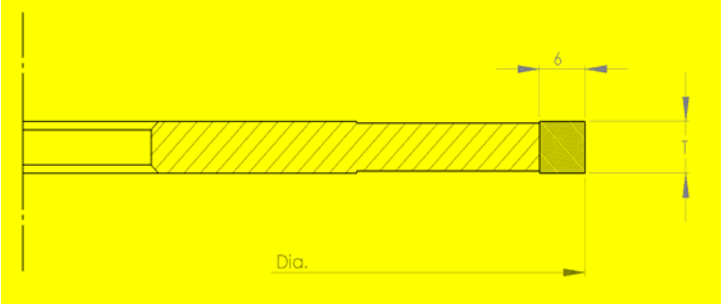
ADVANCED SUPERABRASIVES®

1A1R
DIAMOND

TOOL AND CUTTER

ANCA, SCHNEEBERGER, STAR, UNISON, WALTER, ETC.

RETURN TO HYPER LINK PAGE



150mm Diameter 31.75mm Bore

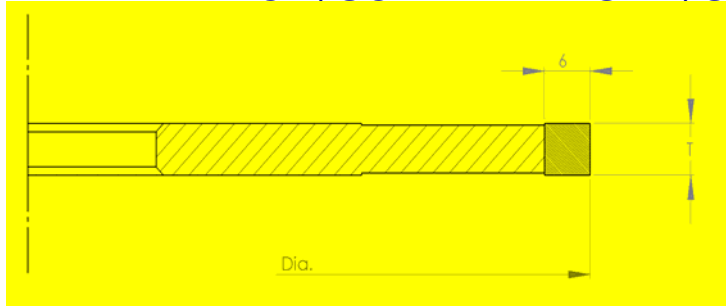
Width (T)	Grit Size	Bond	Coolant
6mm	D64	PXG7100	Oil / Syn
		PXF7100	Oil / Syn
10mm	D64	PXG7100	Oil / Syn
		PXF7100	Oil Only
13mm	D64	PXG7100	Oil / Syn
		PXF7100	Oil / Syn

ADVANCED SUPERABRASIVES®

1A1R
DIAMOND
TOOL AND CUTTER

ANCA, SCHNEEBERGER, STAR, UNISON, WALTER, ETC.

[RETURN TO HYPER LINK PAGE](#)



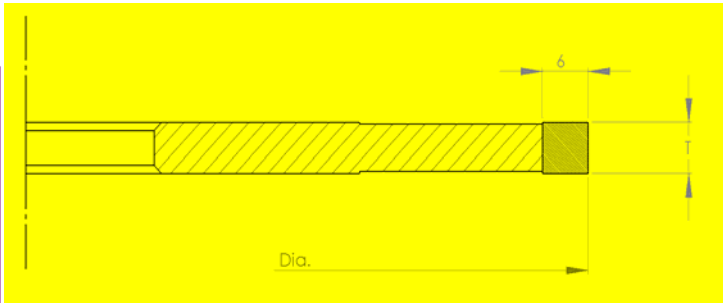
175mm Diameter 31.75mm Bore

Width (T)	Grit Size	Bond	Coolant
6mm	D64	PXG7100	Oil / Syn
		PXF7100	Oil / Syn
10mm	D64	PXG7100	Oil / Syn
		PXF7100	Oil Only
13mm	D64	PXG7100	Oil / Syn
		PXF7100	Oil / Syn

ADVANCED SUPERABRASIVES®

**1A1R
DIAMOND
TOOL AND CUTTER
ANCA, HUFFMAN, ETC.**

RETURN TO HYPER LINK PAGE



175mm Diameter 50.8mm Bore

Width (T)	Grit Size	Bond	Coolant
10mm	D64	PXG7100	Oil / Syn
		PXF7100	Oil / Syn
13mm	D64	PXG7100	Oil / Syn
		PXF7100	Oil Only

200mm Diameter 50.8mm Bore

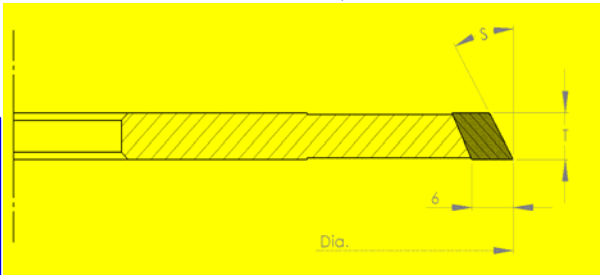
Width (T)	Grit Size	Bond	Coolant
13mm	D220	PXG7100	Oil / Syn
		PXF7100	Oil / Syn

ADVANCED SUPERABRASIVES®

1V1R DIAMOND FLUTE GRINDING

ANCA, SCHNEEBERGER, STAR, UNISON, WALTER, ETC.

RETURN TO HYPERLINK PAGE



100mm Diameter 31.75mm Bore

Width (T)	Angle	Grit Size	Bond	Coolant
3mm	10 DEG	D64	PXG7100	Oil / Syn
			PXF7100	Oil / Syn
6mm			PXG7100	Oil / Syn
			PXF7100	Oil Only
10mm			PXG7100	Oil / Syn
			PXF7100	Oil / Syn
13mm			PXG7100	Oil / Syn
			PXF7100	Oil Only

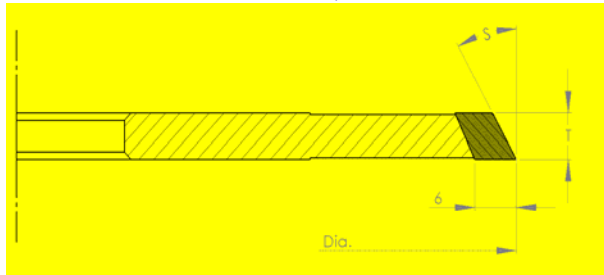
125mm Diameter 31.75mm Bore

Width (T)	Angle	Grit Size	Bond	Coolant
6mm	10 DEG	D64	PXG7100	Oil / Syn
			PXF7100	Oil / Syn
	20 DEG		PXG7100	Oil / Syn
			PXF7100	Oil Only
10mm	10 DEG		PXG7100	Oil / Syn
			PXF7100	Oil / Syn
	20 DEG		PXG7100	Oil / Syn
			PXF7100	Oil Only
	30 DEG	PXG7100	Oil / Syn	
		PXF7100	Oil / Syn	

ADVANCED SUPERABRASIVES®

1V1R DIAMOND FLUTE GRINDING

ANCA, SCHNEEBERGER, STAR, UNISON, WALTER, ETC.



125mm Diameter 31.75mm Bore

Width (T)	Angle	Grit Size	Bond	Coolant
13mm	10 DEG	D64	PXG7100	Oil / Syn
			PXF7100	Oil / Syn
	20 DEG		PXG7100	Oil / Syn
	PXF7100		Oil Only	
16mm	10 DEG		PXG7100	Oil / Syn
	30 DEG		PXF7100	Oil Only
			PXG7100	Oil / Syn
22 mm	10 DEG		PXF7100	Oil / Syn
		PXF7100	Oil Only	
	30 DEG	PXG7100	Oil / Syn	
		PXF7100	Oil / Syn	

125mm Diameter 50.8mm Bore

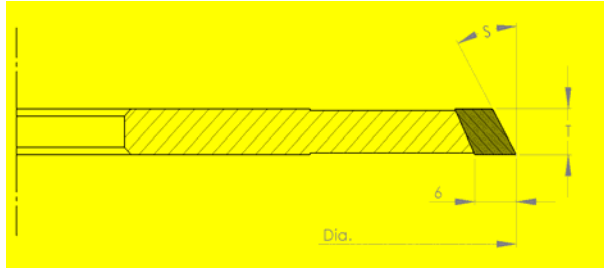
Width (T)	Angle	Grit Size	Bond	Coolant
6mm	10 DEG	D64	PXG7100	Oil / Syn
			PXF7100	Oil / Syn
13mm			PXG7100	Oil / Syn
			PXF7100	Oil Only

RETURN TO HYPERLINK PAGE

ADVANCED SUPERABRASIVES®

1V1R
DIAMOND
FLUTE GRINDING

ANCA, SCHNEEBERGER, STAR, UNISON, WALTER, ETC.



RETURN TO HYPERLINK PAGE

150mm Diameter 31.75mm Bore

Width (T)	Angle	Grit Size	Bond	Coolant
6mm	10 DEG	D64	PXG7100	Oil / Syn
			PXF7100	Oil / Syn
13mm			PXG7100	Oil / Syn
			PXF7100	Oil Only

175mm Diameter 50.8mm Bore

Width (T)	Angle	Grit Size	Bond	Coolant
6mm	10 DEG	D64	PXG7100	Oil / Syn
			PXF7100	Oil / Syn
10mm			PXG7100	Oil / Syn
			PXF7100	Oil Only
13mm			PXG7100	Oil / Syn
			PXF7100	Oil / Syn
19mm			PXG7100	Oil / Syn
			PXF7100	Oil Only

200mm Diameter 50.8mm Bore

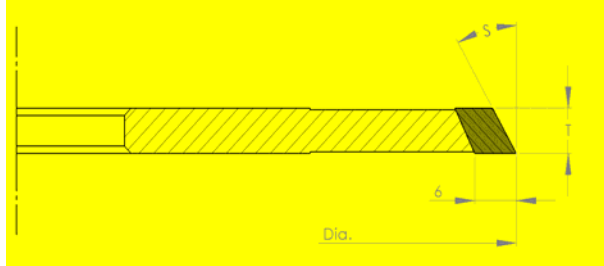
Width (T)	Angle	Grit Size	Bond	Coolant
13mm	10 DEG	D64	PXG7100	Oil / Syn
			PXF7100	Oil / Syn

ADVANCED SUPERABRASIVES®

**1V1R
DIAMOND
END GASH**

ANCA, SCHNEEBERGER, STAR, UNISON, WALTER, ETC.

RETURN TO HYPERLINK PAGE



100mm Diameter 31.75mm Bore

Width (T)	Angle	Grit Size	Bond	Coolant
3mm	30 DEG	D46	PXF7100	Oil / Syn
	45 DEG			
6mm	30 DEG			
	45 DEG			
	60 DEG			
10mm	30 DEG			
	45 DEG			
	60 DEG			

125mm Diameter 31.75mm Bore

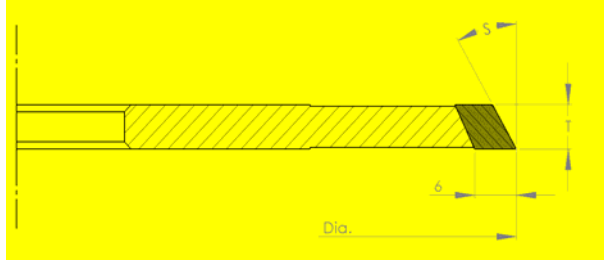
Width (T)	Angle	Grit Size	Bond	Coolant
6mm	30 DEG	D46	PXF7100	Oil / Syn
	45 DEG			
	60 DEG			
10mm	30 DEG			
	45 DEG			
	60 DEG			

ADVANCED SUPERABRASIVES®

**1V1R
DIAMOND
END GASH**

ANCA, SCHNEEBERGER, STAR, UNISON, WALTER, ETC.

RETURN TO HYPERLINK PAGE



125mm Diameter 50.8mm Bore

Width (T)	Angle	Grit Size	Bond	Coolant
6mm	30 DEG	D46	PXF7100	Oil / Syn
	45 DEG			
	60 DEG			
10mm	30 DEG			
	45 DEG			
	60 DEG			

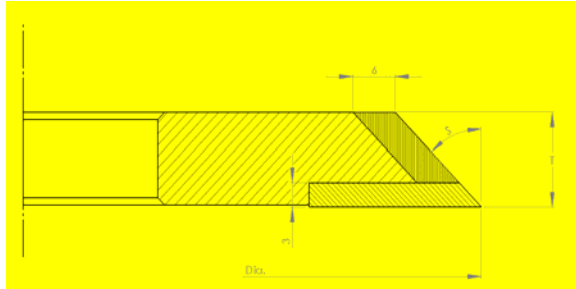
150mm Diameter 31.75mm Bore

Width (T)	Angle	Grit Size	Bond	Coolant
6mm	30 DEG	D46	PXF7100	Oil / Syn
	45 DEG			
	60 DEG			
10mm	30 DEG			
	45 DEG			
	60 DEG			

ADVANCED SUPERABRASIVES®

1V1 M
DIAMOND

BALL NOSE GASH (NAS END FLUTE)
ANCA, SCHNEEBERGER, STAR, UNISON, WALTER, ETC.



100mm Diameter 31.75mm Bore

Width (T)	Angle	Grit Size	Bond	Coolant
6mm	30 DEG	D54	PXF7100	Oil / Syn
	45 DEG			

125mm Diameter 31.75mm Bore

Width (T)	Angle	Grit Size	Bond	Coolant
6mm	30 DEG	D54	PXF7100	Oil / Syn
	45 DEG			
13mm	30 DEG	D54	PXF7100	Oil / Syn
	45 DEG			

125mm Diameter 50.8mm Bore

Width (T)	Angle	Grit Size	Bond	Coolant
10mm	30 DEG	D54	PXF7100	Oil / Syn
	45 DEG			

150mm Diameter 50.8mm Bore

Width (T)	Angle	Grit Size	Bond	Coolant
13mm	30 DEG	D54	PXF7100	Oil / Syn
	45 DEG			

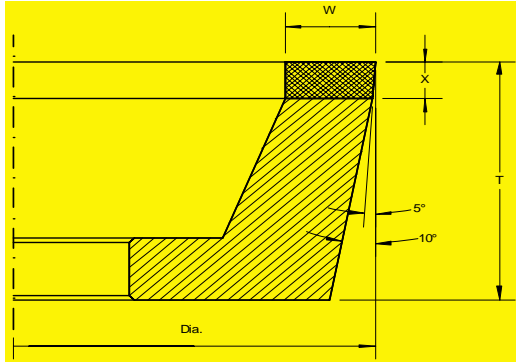
RETURN TO HYPERLINK PAGE

ADVANCED SUPERABRASIVES®

11V2
DIAMOND

DRILL POINTING & STEP DRILLS
ANCA, SCHNEEBERGER, STAR, UNISON, WALTER, ETC.

RETURN TO HYPERLINK PAGE



100mm Diameter X 31.75mm X 31.75mm Bore

Width (W)	Depth (X)	Grit Size	Bond	Coolant
13mm	3mm	D54	PXF7100	Oil / Syn
	6mm			

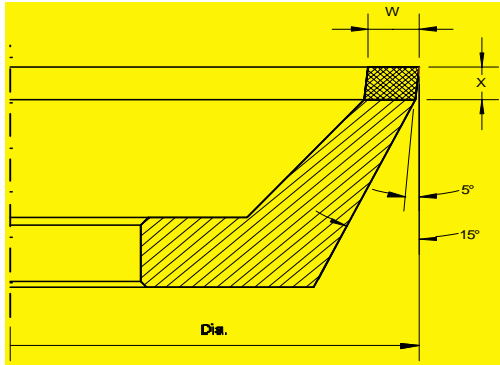
125mm Diameter X 31.75mm X 31.75mm Bore

Width (W)	Depth (X)	Grit Size	Bond	Coolant
13mm	6mm	D54	PXF7100	Oil / Syn

ADVANCED SUPERABRASIVES®

11V2
DIAMOND
O.D. CLEARANCE

ANCA, SCHNEEBERGER, STAR, UNISON, WALTER, ETC.



RETURN TO HYPERLINK PAGE

75mm Diameter X 31.75mm X 31.75mm Bore

Width (W)	Depth (X)	Grit Size	Bond	Coolant
3mm	6mm	D54	PXF7100	Oil / Syn

100mm Diameter X 31.75mm X 31.75mm Bore

Width (W)	Depth (X)	Grit Size	Bond	Coolant
5mm	6mm	D54	PXF7100	Oil / Syn

100mm Diameter X 31.75mm X 50.8mm Bore

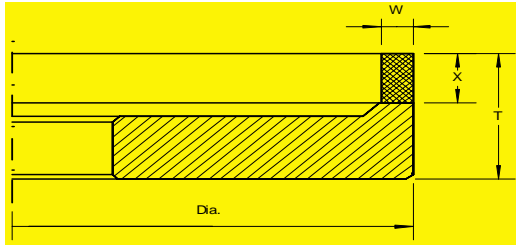
Width (W)	Depth (X)	Grit Size	Bond	Coolant
5mm	6mm	D54	PXF7100	Oil / Syn

125mm Diameter X 31.75mm X 50.8mm Bore

Width (W)	Depth (X)	Grit Size	Bond	Coolant
5mm	6mm	D54	PXF7100	Oil / Syn

ADVANCED SUPERABRASIVES®

**6A2
DIAMOND
SANDVIK DELTA DRILL & MITSUBISHI FACET POINT
WALTER**

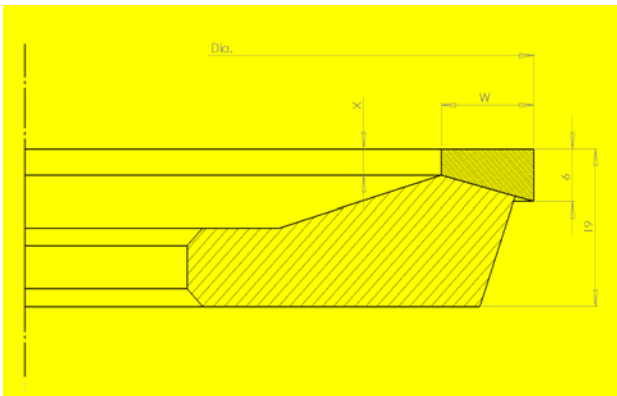


125mm Diameter X 31.75mm X 31.75mm Bore

Width (W)	Depth (X)	Grit Size	Bond	Coolant
4mm	10mm	D54	PXF7100	Oil / Syn

[RETURN TO HYPERLINK PAGE](#)

**11C9
DIAMOND
STANDARD DRILL POINTING
RAISED LAND CLEARANCE
WALTER**

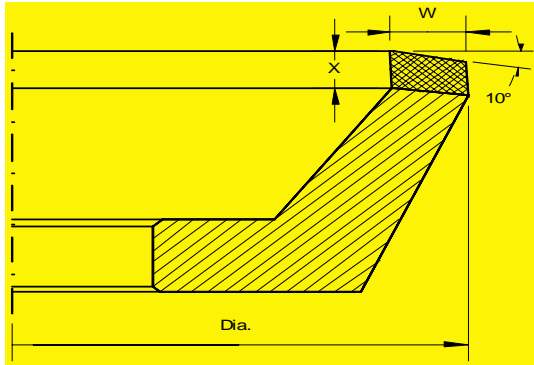


125mm Diameter X 19mm X 31.75mm Bore

Width (W)	Depth (X)	Grit Size	Bond	Coolant
12mm	3mm	D54	PXF7100	Oil / Syn

ADVANCED SUPERABRASIVES®

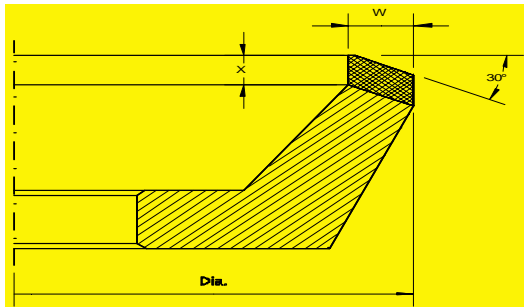
**11V5
DIAMOND
ECCENTRIC RELIEF
WALTER**



100mm Diameter X 31.75mm X 31.75mm Bore

Width (W)	Depth (X)	Grit Size	Bond	Coolant
10mm	3mm	D54	PXF7100	Oil / Syn
	6mm			
6mm	3mm			
	6mm			
3mm	10mm	Use 11V9 See Page 19		

**11V5
DIAMOND
MULTI GRIND METHOD (MGM)
WALTER**



100mm Diameter X 31.75mm X 31.75mm Bore

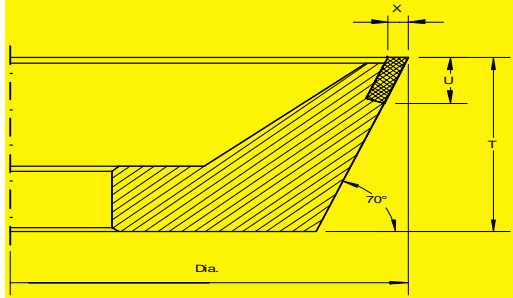
Width (W)	Depth (X)	Grit Size	Bond	Coolant
6mm	6mm	D54	PXF7100	Oil / Syn

RETURN TO HYPERLINK PAGE

ADVANCED SUPERABRASIVES®

11V9
DIAMOND
TOOL AND CUTTER

ANCA, SCHNEEBERGER, STAR, UNISON, WALTER, ETC.



RETURN TO HYPERLINK PAGE

75mm Diameter X 38mm X 31.75mm Bore

Width (X)	Depth (U)	Grit Size	Bond	Coolant
3mm	10mm	D54	PXF7100	Oil / Syn

100mm Diameter X 38mm X 31.75mm Bore

Width (X)	Depth (U)	Grit Size	Bond	Coolant
3mm	10mm	D54	PXF7100	Oil / Syn

125mm Diameter X 44.5mm X 31.75mm Bore

Width (X)	Depth (U)	Grit Size	Bond	Coolant
3mm	11mm	D54	PXF7100	Oil / Syn

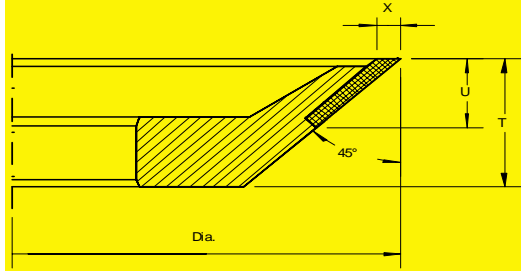
125mm Diameter X 44.5mm X 50.8mm Bore

Width (X)	Depth (U)	Grit Size	Bond	Coolant
3mm	11mm	D54	PXF7100	Oil / Syn

ADVANCED SUPERABRASIVES®

12V9 45 DEG
DIAMOND
TOOL AND CUTTER

ANCA, SCHNEEBERGER, STAR, UNISON, WALTER, ETC.



RETURN TO HYPERLINK PAGE

75mm Diameter X 22mm X 31.75mm Bore

Width (X)	Depth (U)	Grit Size	Bond	Coolant
3mm	10mm	D46	PXF7100	Oil / Syn

100mm Diameter X 22mm X 31.75mm Bore

Width (X)	Depth (U)	Grit Size	Bond	Coolant
3mm	10mm	D46	PXF7100	Oil / Syn

125mm Diameter X 25mm X 31.75mm Bore

Width (X)	Depth (U)	Grit Size	Bond	Coolant
3mm	10mm	D46	PXF7100	Oil / Syn

125mm Diameter X 25mm X 50.8mm Bore

Width (X)	Depth (U)	Grit Size	Bond	Coolant
3mm	10mm	D46	PXF7100	Oil / Syn

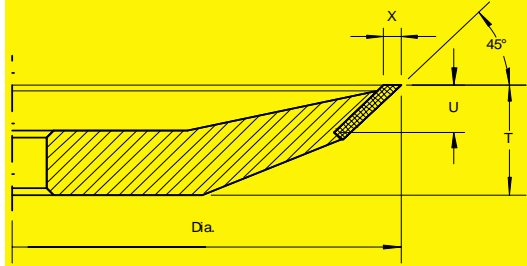
150mm Diameter X 25mm X 31.75mm Bore

Width (X)	Depth (U)	Grit Size	Bond	Coolant
3mm	10mm	D46	PXF7100	Oil / Syn

ADVANCED SUPERABRASIVES®

15V9 DIAMOND FACE GRINDING

ANCA, HUFFMAN, SCHNEEBERGER, STAR, UNISON, WALTER, ETC.



RETURN TO HYPERLINK PAGE

100mm Diameter X 22mm X 31.75mm Bore

Width (X)	Depth (U)	Grit Size	Bond	Coolant
1.5mm	10mm	D46	PXF7100	Oil / Syn

125mm Diameter X 25mm X 31.75mm Bore

Width (X)	Depth (U)	Grit Size	Bond	Coolant
1.5mm	10mm	D46	PXF7100	Oil / Syn

150mm Diameter X 25mm X 31.75mm Bore

Width (X)	Depth (U)	Grit Size	Bond	Coolant
1.5mm	10mm	D46	PXF7100	Oil / Syn

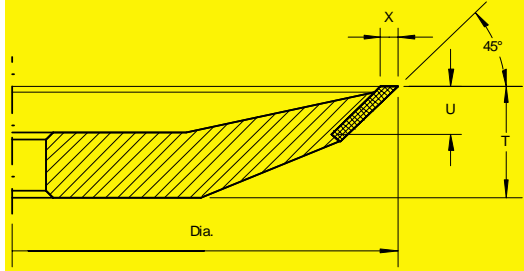
150mm Diameter X 25mm X 50.8mm Bore

Width (X)	Depth (U)	Grit Size	Bond	Coolant
1.5mm	10mm	D46	PXF7100	Oil / Syn

ADVANCED SUPERABRASIVES®

15V9 DIAMOND FACE GRINDING

ANCA, HUFFMAN, SCHNEEBERGER, STAR, UNISON, WALTER, ETC.



RETURN TO HYPERLINK PAGE

175mm Diameter X 25mm X 31.75mm Bore

Width (X)	Depth (U)	Grit Size	Bond	Coolant
1.5mm	10mm	D46	PXF7100	Oil / Syn

175mm Diameter X 25mm X 50.8mm Bore

Width (X)	Depth (U)	Grit Size	Bond	Coolant
1.5mm	10mm	D46	PXF7100	Oil / Syn

200mm Diameter X 25mm X 31.75mm Bore

Width (X)	Depth (U)	Grit Size	Bond	Coolant
1.5mm	10mm	D46	PXF7100	Oil / Syn

200mm Diameter X 25mm X 50.8mm Bore

Width (X)	Depth (U)	Grit Size	Bond	Coolant
1.5mm	10mm	D46	PXF7100	Oil / Syn

ADVANCED SUPERABRASIVES®

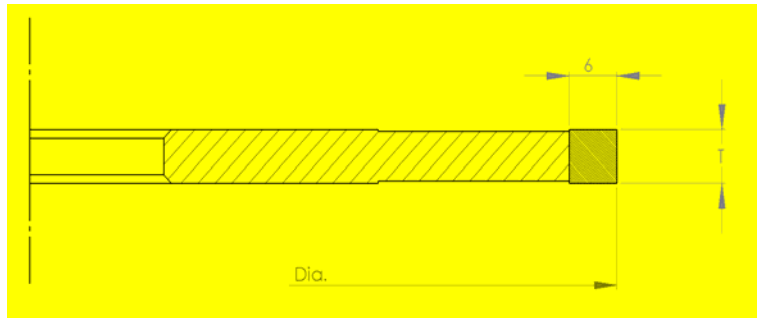
1A1R

CBN

TOOL AND CUTTER

ANCA, SCHNEEBERGER, STAR, UNISON, WALTER, ETC.

RETURN TO HYPERLINK PAGE



100mm Diameter 31.75mm Bore

Width (T)	Grit Size	Bond	Coolant
6mm	B76	BPB6100SSP	Oil / Syn
13mm		BPB6100SSP	Oil / Syn

125mm Diameter 31.75mm Bore

Width (T)	Grit Size	Bond	Coolant
6mm	B76	BPB6100SSP	Oil / Syn
13mm		BPB6100SSP	Oil / Syn

ADVANCED SUPERABRASIVES®

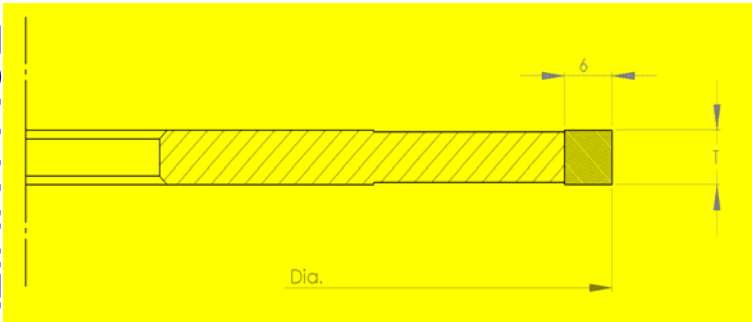
1A1R

CBN

TOOL AND CUTTER

ANCA, SCHNEEBERGER, STAR, UNISON, WALTER, ETC.

RETURN TO HYPERLINK PAGE



150mm Diameter 31.75mm Bore

Width (T)	Grit Size	Bond	Coolant
13mm	B76	BPB6100SSP	Oil / Syn

175mm Diameter 50.8mm Bore

Width (T)	Grit Size	Bond	Coolant
1/50.8mm	B76	BPB6100SSP	Oil / Syn

200mm Diameter 50.8mm Bore

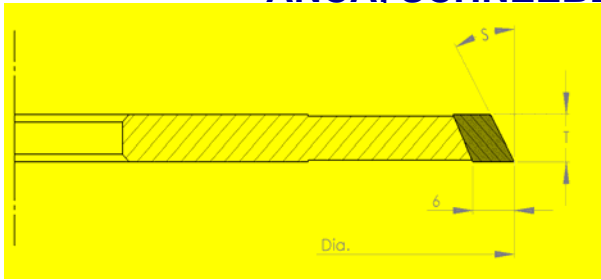
Width (T)	Grit Size	Bond	Coolant
13mm	B76	BPB6100SSP	Oil / Syn

ADVANCED SUPERABRASIVES®

1V1R
CBN

FLUTE GRINDING

ANCA, SCHNEEBERGER, STAR, UNISON, WALTER, ETC.



100mm Diameter 31.75mm Bore

Width (T)	Angle	Grit Size	Bond	Coolant
3mm	10 DEG	B76	BPB6100SSP	Oil / Syn
6mm				
10mm				
13mm				

125mm Diameter 31.75mm Bore

Width (T)	Angle	Grit Size	Bond	Coolant
6mm	10 DEG	B76	BPB6100SSP	Oil / Syn
	20 DEG			
10mm	10 DEG			
	20 DEG			
13mm	10 DEG			
	20 DEG			

125mm Diameter 50.8mm Bore

Width (T)	Angle	Grit Size	Bond	Coolant
6mm	10 DEG	B76	BPB6100SSP	Oil / Syn
	20 DEG			
10mm	10 DEG			
	20 DEG			
13mm	10 DEG			
	20 DEG			

RETURN TO HYPERLINK PAGE

ADVANCED SUPERABRASIVES®

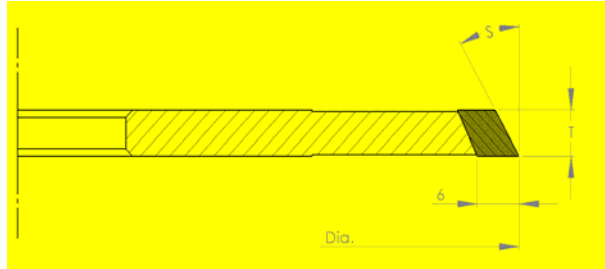
1V1R

CBN

FLUTE GRINDING

ANCA, SCHNEEBERGER, STAR, UNISON, WALTER, ETC.

RETURN TO HYPERLINK PAGE



150mm Diameter 31.75mm Bore

Width (T)	Angle	Grit Size	Bond	Coolant
13mm	10 DEG	B76	BPB6100SSP	Oil / Syn

175mm Diameter 31.75mm Bore

Width (T)	Angle	Grit Size	Bond	Coolant
13mm	10 DEG	B76	BPB6100SSP	Oil / Syn

200mm Diameter 50.8mm Bore

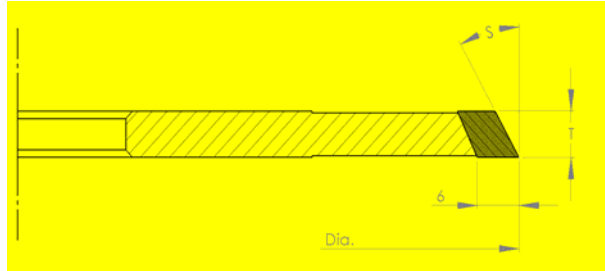
Width (T)	Angle	Grit Size	Bond	Coolant
13mm	10 DEG	B76	BPB6100SSP	Oil / Syn

ADVANCED SUPERABRASIVES®

1V1R
CBN
END GASH

ANCA, SCHNEEBERGER, STAR, UNISON, WALTER, ETC.

RETURN TO HYPERLINK PAGE



100mm Diameter 31.75mm Bore

Width (T)	Angle	Grit Size	Bond	Coolant
3mm	30 DEG	B76	BPBU6100	Oil / Syn
	45 DEG			
6mm	30 DEG			
	45 DEG			
	60 DEG			
10mm	30 DEG			
	45 DEG			
	60 DEG			

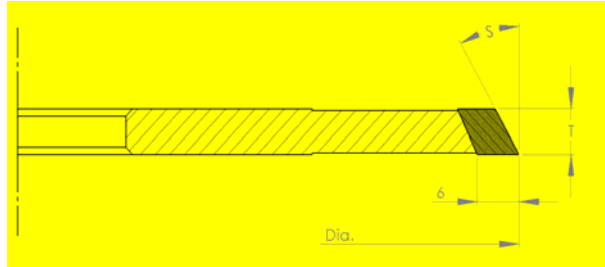
125mm Diameter 31.75mm Bore

Width (T)	Angle	Grit Size	Bond	Coolant
6mm	30 DEG	B76	BPBU6100	Oil / Syn
	45 DEG			
	60 DEG			
10mm	30 DEG			
	45 DEG			
	60 DEG			

ADVANCED SUPERABRASIVES®

1V1R
CBN
END GASH

ANCA, SCHNEEBERGER, STAR, UNISON, WALTER, ETC.



125mm Diameter 50.8mm Bore

Width (T)	Angle	Grit Size	Bond	Coolant
6mm	30 DEG	B76	BPBU6100	Oil / Syn
	45 DEG			
	60 DEG			
10mm	30 DEG			
	45 DEG			
	60 DEG			

150mm Diameter 31.75mm Bore

Width (T)	Angle	Grit Size	Bond	Coolant
6mm	30 DEG	B76	BPBU6100	Oil / Syn
	45 DEG			
	60 DEG			
10mm	30 DEG			
	45 DEG			
	60 DEG			

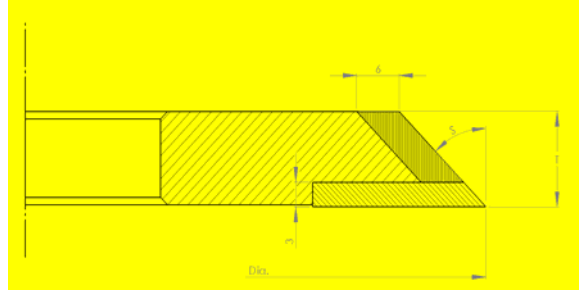
RETURN TO HYPERLINK PAGE

ADVANCED SUPERABRASIVES®

1V1 M
CBN

BALL NOSE GASH (NAS END FLUTE)
ANCA, SCHNEEBERGER, STAR, UNISON, WALTER, ETC.

RETURN TO HYPERLINK PAGE



125mm Diameter 31.75mm Bore

Width (T)	Angle	Grit Size	Bond	Coolant
6mm	30 DEG	B76	BPBU6100	Oil / Syn
	45 DEG			
13mm	30 DEG			
	45 DEG			

125mm Diameter 50.8mm Bore

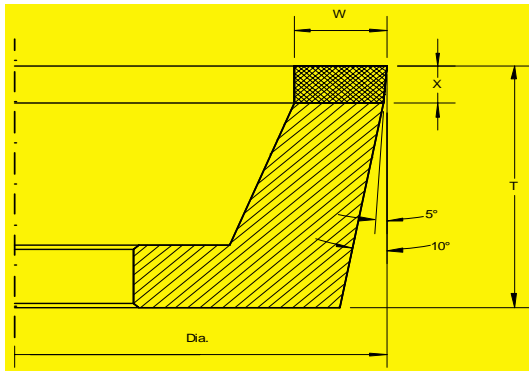
Width (T)	Angle	Grit Size	Bond	Coolant
13mm	30 DEG	B76	BPBU6100	Oil / Syn
	45 DEG			

ADVANCED SUPERABRASIVES®

11V2
CBN

DRILL POINTING & STEP DRILLS
ANCA, SCHNEEBERGER, STAR, UNISON, WALTER, ETC.

RETURN TO HYPERLINK PAGE



100mm Diameter X 31.75mm X 31.75mm Bore

Width (W)	Depth (X)	Grit Size	Bond	Coolant
13mm	3mm	B76	BPBU6100	Oil / Syn
	6mm			

125mm Diameter X 31.75mm X 31.75mm Bore

Width (W)	Depth (X)	Grit Size	Bond	Coolant
13mm	6mm	B76	BPBU6100	Oil / Syn

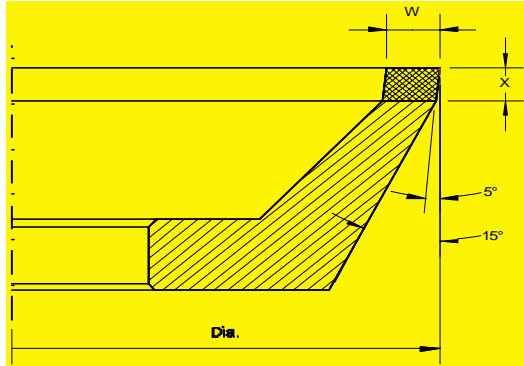
ADVANCED SUPERABRASIVES®

11V2

CBN

O.D. CLEARANCE

ANCA, SCHNEEBERGER, STAR, UNISON, WALTER, ETC.



75mm Diameter X 31.75mm X 31.75mm Bore

Width (W)	Depth (X)	Grit Size	Bond	Coolant
3mm	6mm	B76	BPBU6100	Oil / Syn

100 Diameter X 31.75mm X 31.75mm Bore

Width (W)	Depth (X)	Grit Size	Bond	Coolant
3mm	6mm	B76	BPBU6100	Oil / Syn
5mm				

100mm Diameter X 31.75mm X 50.8mm Bore

Width (W)	Depth (X)	Grit Size	Bond	Coolant
3mm	6mm	B76	BPBU6100	Oil / Syn
5mm				

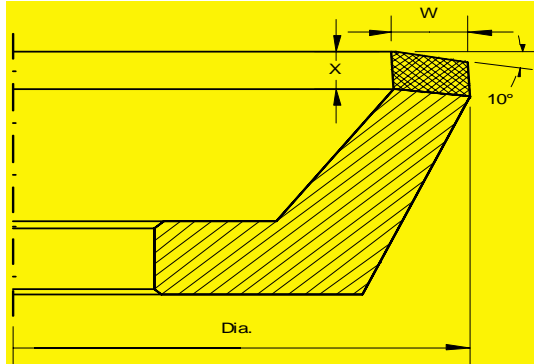
125mm Diameter X 31.75mm X 50.8mm Bore

Width (W)	Depth (X)	Grit Size	Bond	Coolant
3mm	6mm	B76	BPBU6100	Oil / Syn
5mm				

RETURN TO HYPERLINK PAGE

ADVANCED SUPERABRASIVES®

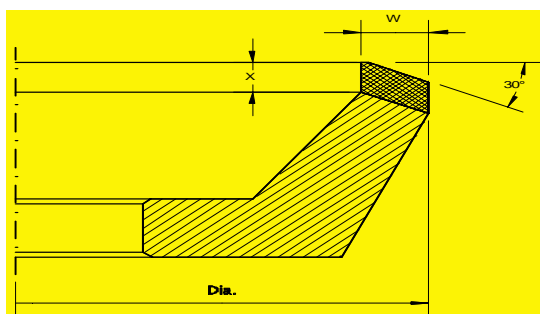
11V5
CBN
ECCENTRIC RELIEF
WALTER



100mm Diameter X 31.75mm X 31.75mm Bore

Width (W)	Depth (X)	Grit Size	Bond	Coolant
10mm	3mm	B76	BPBU6100	Oil / Syn
	6mm			
6mm	3mm			
	6mm			
3mm	10mm	Use 11V9 See Page 12		

11V5
CBN
MULTI GRIND METHOD (MGM)
WALTER



100mm Diameter X 31.75mm X 31.75mm Bore

Width (W)	Depth (X)	Grit Size	Bond	Coolant
6mm	6mm	B76	BPBU6100	Oil / Syn

RETURN TO HYPERLINK PAGE

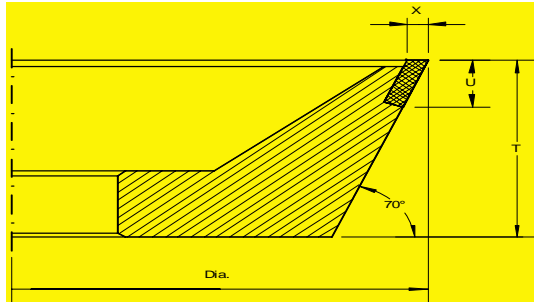
ADVANCED SUPERABRASIVES®

11V9

CBN

TOOL AND CUTTER

ANCA, SCHNEEBERGER, STAR, UNISON, WALTER, ETC.



RETURN TO HYPERLINK PAGE

75mm Diameter X 38mm X 31.75mm Bore

Width (X)	Depth (U)	Grit Size	Bond	Coolant
3mm	10mm	B76	BPBU6100	Oil / Syn
		B46		

100mm Diameter X 38mm X 31.75mm Bore

Width (X)	Depth (U)	Grit Size	Bond	Coolant
3mm	10mm	B76	BPBU6100	Oil / Syn
		B46		

125mm Diameter X 44mm X 31.75mm Bore

Width (X)	Depth (U)	Grit Size	Bond	Coolant
3mm	11mm	B76	BPBU6100	Oil / Syn
		B46		

125mm Diameter X 44mm X 50.8mm Bore

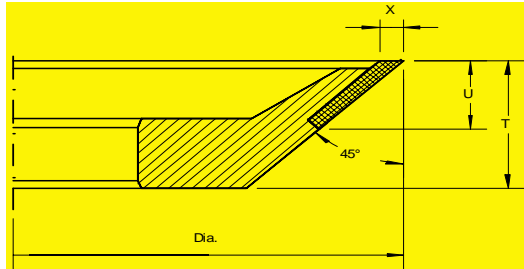
Width (X)	Depth (U)	Grit Size	Bond	Coolant
3mm	11mm	B76	BPBU6100	Oil / Syn
		B46		

ADVANCED SUPERABRASIVES®

12V9 45 DEG
CBN

TOOL AND CUTTER

ANCA, SCHNEEBERGER, STAR, UNISON, WALTER, ETC.



RETURN TO HYPERLINK PAGE

75mm Diameter X 22mm X 31.75mm Bore

Width (X)	Depth (U)	Grit Size	Bond	Coolant
3mm	10mm	B76	BPBU6100	Oil / Syn
		B46		

100mm Diameter X 22mm X 31.75mm Bore

Width (X)	Depth (U)	Grit Size	Bond	Coolant
3mm	10mm	B76	BPBU6100	Oil / Syn
		B46		

125mm Diameter X 25mm X 31.75mm Bore

Width (X)	Depth (U)	Grit Size	Bond	Coolant
3mm	10mm	B76	BPBU6100	Oil / Syn
		B46		

125mm Diameter X 25mm X 50.8mm Bore

Width (X)	Depth (U)	Grit Size	Bond	Coolant
3mm	10mm	B76	BPBU6100	Oil / Syn
		B46		

150mm Diameter X 25mm X 31.75mm Bore

Width (X)	Depth (U)	Grit Size	Bond	Coolant
3mm	10mm	B76	BPBU6100	Oil / Syn
		B46		

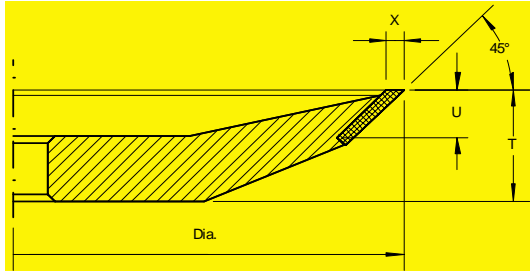
ADVANCED SUPERABRASIVES®

15V9

CBN

FACE GRINDING

ANCA, HUFFMAN, SCHNEEBERGER, STAR, UNISON, WALTER, ETC.



RETURN TO HYPERLINK PAGE

100mm Diameter X 22mm X 31.75mm Bore

Width (X)	Depth (U)	Grit Size	Bond	Coolant
1.5mm	10mm	B76	BPBU6100	Oil / Syn
		B46		

125mm Diameter X 25mm X 31.75mm Bore

Width (X)	Depth (U)	Grit Size	Bond	Coolant
1.5mm	10mm	B76	BPBU6100	Oil / Syn
		B46		

150mm Diameter X 25mm X 31.75mm Bore

Width (X)	Depth (U)	Grit Size	Bond	Coolant
1.5mm	10mm	B76	BPBU6100	Oil / Syn
		B46		

150mm Diameter X 25mm X 50.8mm Bore

Width (X)	Depth (U)	Grit Size	Bond	Coolant
1.5mm	10mm	B76	BPBU6100	Oil / Syn
		B46		

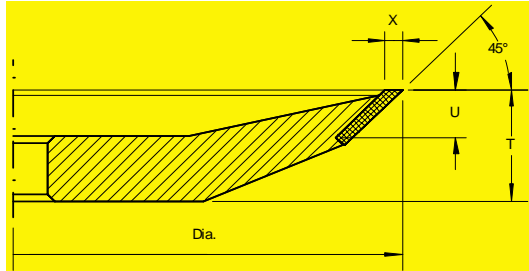
ADVANCED SUPERABRASIVES®

15V9

CBN

FACE GRINDING

ANCA, HUFFMAN, SCHNEEBERGER, STAR, UNISON, WALTER, ETC.



RETURN TO HYPERLINK PAGE

175mm Diameter X 25mm X 31.75mm Bore

Width (X)	Depth (U)	Grit Size	Bond	Coolant
1.5mm	10mm	B76	BPBU6100	Oil / Syn
		B46		

175mm Diameter X 25mm X 50.8mm Bore

Width (X)	Depth (U)	Grit Size	Bond	Coolant
1.5mm	10mm	B76	BPBU6100	Oil / Syn
		B46		

200mm Diameter X 25mm X 31.75mm Bore

Width (X)	Depth (U)	Grit Size	Bond	Coolant
1.5mm	10mm	B76	BPBU6100	Oil / Syn
		B46		

200mm Diameter X 25mm X 50.8mm Bore

Width (X)	Depth (U)	Grit Size	Bond	Coolant
1.5mm	10mm	B76	BPBU6100	Oil / Syn
		B46		